



Datenblatt - Fiche technique - Data sheet

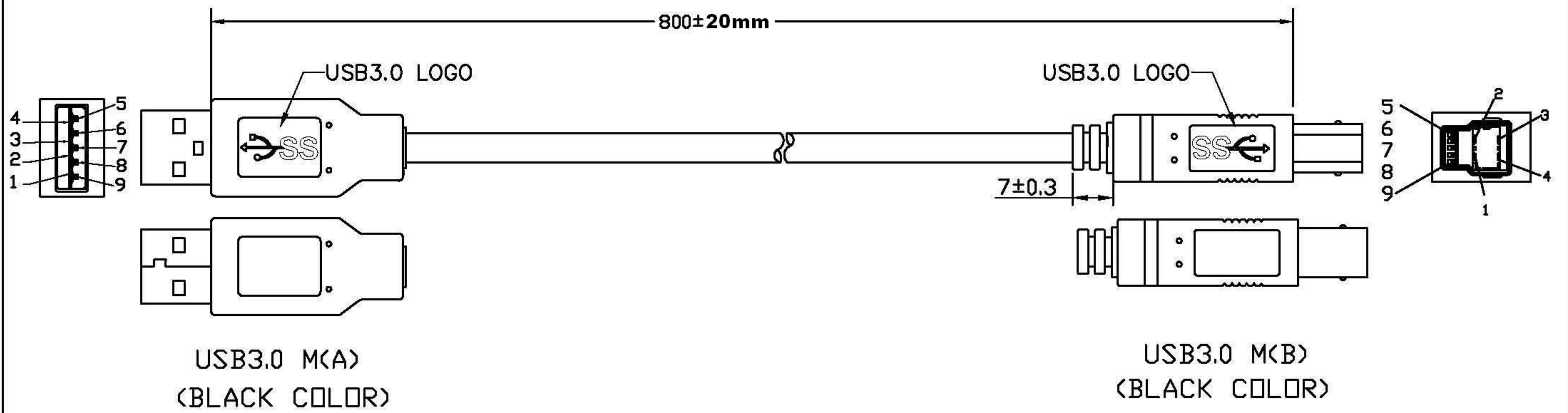
**11.02.8869**



ROLINE USB 3.0 Kabel, Typ A-B, 0,8m

ROLINE Câble USB 3.0 Type A-B, 0.8m

ROLINE USB 3.0 Cable, A - B, M/M, 0.8 m



NOTE: **PACKING: 1PCS/PE BAG+ Header card + EAN sticker**

1. CABLE:UL2725,AL+B-FOIL,(28AWG\*1P)+[AL+MY-FOIL,(28AWG\*1P+D)]\*2+24AWG\*2C.  
BLACK COLOR,OD=5.5mm,PVC JACKET.

2. LENGTH: 800mm.

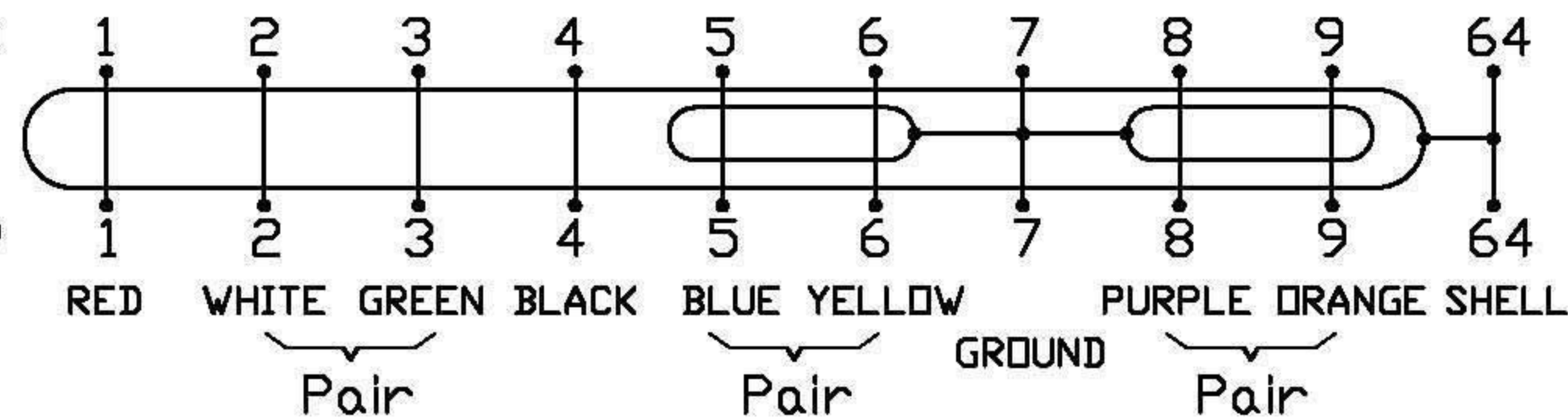
3. CONNECTORS:USB3.0 M(A)\*1PCS, **USB3.0 M(B)\*1**(BLUE INSULATOR)(NICKEL).

4. MOLD:MOLDING USB TYPE.

5. CONTACTS:

USB3.0 M(A)

USB3.0 M(B)



WHITE/GREEN PAIR...28AWG , RED/BLACK...24AWG

6. OPEN/SHORT TEST: 100% TEST.  
INSULATION: 2M ohms

Title:	ROLINE USB 3.0 Cable, Type A M-B M		ITEM NO.	11.02.8869	NO	B				
REVISION	DATE	DISCRIPTION	DRAWN BY						SCALE	NON
REV.A/0	2011.06.08		DESIGNED BY						UNIT(mm)	
			APPROVAL BY						DRAWING NO.	
Rotronic Co.,Ltd.										